

ZAMAC FITTINGS

Pipe Plugs

660-01	1/2"
660-02	3/4"
660-03	1"
660-04	1-1/4"

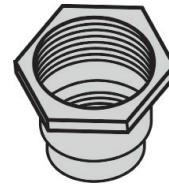


Valves

Hand/Main
Line Parts

Bell Reducers

661-01	3/4" x 1/2"
661-02	1" x 1/2"
661-03	1" x 3/4"
661-04	1-1/4" x 1"

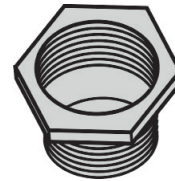


Pivot Parts

Flanges

Bushings

662-01	3/4" x 1/2"
662-02	1" x 1/2"
662-03	1" x 3/4"
662-04	1-1/4" x 1"
662-05	3/4" x 1/2"



Aluminum/
Steel Fab

Street Reducers

663-01	3/4" x 1"
--------	-----------



Hose &
Accessories

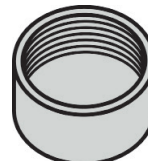
Sleeve Couplings

664-01	1/2"
664-02	3/4"
664-03	1"



Sprinklers

Primer
Pumps



Wheel Line
Parts

Aluminum Half Coupling
See previous Aluminum Pipe Fitting Section

Irrigation parts are wholesale to dealers only

RISERS

Aluminum Tubing Risers with Zamac Fittings

1" Male x 3/4" Female Riser with 1" Aluminum Tube

666-06	6"
666-12	12"
666-18	18"
666-24	24"
666-30	30"
666-36	36"
666-48	48"
666-60	60"
666-72	72"

1" Male x 1/2" Female Riser available as part number 667-xx with same pricing as above

3/4" Male x 3/4" Female Riser with 3/4" Aluminum Tube

670-06	6"
670-12	12"
670-18	18"
670-24	24"
670-30	30"

3/4" Male x 1/2" Female Riser available as part number 671-xx with same pricing as above

Galvanized Steel Tubing Risers with Zamac Fittings

1" Male x 3/4" Female Riser with 1" Galvanized Steel Tube

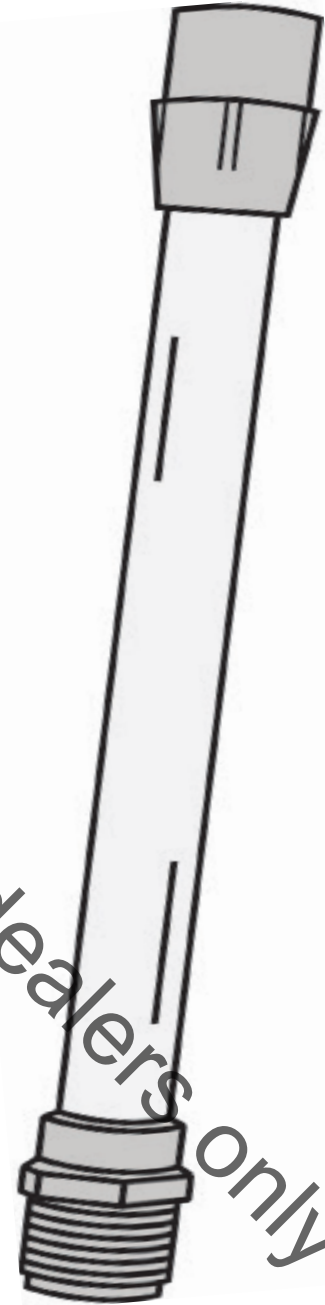
668-06	6"
668-12	12"
668-18	18"
668-24	24"
668-30	30"
668-36	36"
668-48	48"
668-60	60"
668-72	72"

1" Male x 1/2" Female Riser available as part number 669-xx with same pricing as above

3/4" Male x 3/4" Female Riser with 3/4" Galvanized Steel Tube

672-06	6"
672-12	12"
672-18	18"
672-24	24"
672-30	30"

3/4" Male x 1/2" Female Riser available as part number 673-xx with same pricing as above



Valves
 Hand/Main Line Parts
 Pivot Parts
 Flanges
 Aluminum/Steel Fab
 Hose & Accessories
 Sprinklers
 Primer Pumps
 Wheel Line Parts

SPRINKLER QUICK ORDER



AQUABURST® SPRINKLERS

Designed and Engineered in the USA
Made with Domestic and Foreign Parts

Part #	List	Base	Coverage	Recommended Nozzles	Material	Qty
HF20	10.50	1/2"	Full Circle	NOZ5R-	Brass	100/case
X25EDS	13.00	1/2"	Adjustable	9/64" nozzle installed	Multi-Composite™	60/case
X25ED	13.00	1/2"	Adjustable	9/64" nozzle installed	Multi-Composite™	60/case
AL1023	9.60	1/2"	10° or 23° Full Circle	NOZ5R-	Multi-Composite™	100/case
AL30	15.50	3/4"	Full Circle	NOZ75- or NOZPL75	Multi-Composite™	60/case
HF30	18.30	3/4"	23° Full Circle	NOZ75- or NOZPL75	Brass	60/case
HF30AL	18.30	3/4"	Full Circle	NOZ75- or NOZPL75	Brass/Aluminum	60/case
X35ED	42.30	3/4"	Adjustable	NOZ75- or NOZPL75	Brass	20/case
X65F-S	122.30	1"	Full Circle	NOZ1-	Brass	5/case
X65ED-S	140.10	1"	Adjustable	NOZ1-	Brass	5/case
X85F24	208.00	1 1/4"	Full Circle	NOZ125-	Brass	each
X85ED18	234.00	1 1/4"	Adjustable	NOZ125-	Brass	each
X85ED24	234.00	1 1/4"	Adjustable	NOZ125-	Brass	each
X100-18	676.00	2"	18° End Gun	NOZX100-42-	Multi-Material	each
X100-24	676.00	2"	24° End Gun	NOZX100-42-	Multi-Material	each
X100-43	676.00	2"	43° End Gun	NOZX100-42-	Multi-Material	each
X100V-18	820.00	2"	18° End Gun w/ Valve	NOZX100-42-	Multi-Material	each
X100V-24	820.00	2"	24° End Gun w/ Valve	NOZX100-42-	Multi-Material	each
X100V-43	820.00	2"	43° End Gun w/ Valve	NOZX100-42-	Multi-Material	each

Valves
Hand/Main Line Parts
Pivot Parts
Flanges
Aluminum/
Steel Fab
Hose & Accessories
Sprinklers
Primer Pumps
Wheel Line Parts



Irrigation parts are wholesaled to dealers only

SPRINKLER QUICK ORDER

MINI CANNONS AND GEAR DRIVE SPRINKLERS

Part #	Desc	Inlet Size	Coverage	Included Nozzles
655-00	Sime - Funny	1"	up to 128' dia	6mm, 7mm
653-00	Penguin WR-57	1 1/4"	up to 190' dia	10mm, 12mm, 14mm,
654-00	Pelican WR-67	1 1/2"	up to 236' dia	12mm, 14mm, 16mm
646-00	Sime Skipper P-191	1 1/2"	up to 268' dia	14mm, 16mm, 18mm

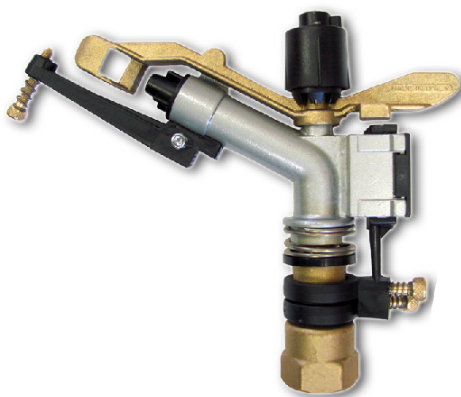
Additional Specs pages 56-57



Skipper P-191



Pelican WR-67



Funny 1" Sprinkler



Penguin WR-57

 Valves
 Hand/Main Line Parts
 Pivot Parts
 Flanges
 Aluminum/Steel Fab
 Hose & Accessories
 Sprinklers
 Primer Pumps
 Wheel Line Parts

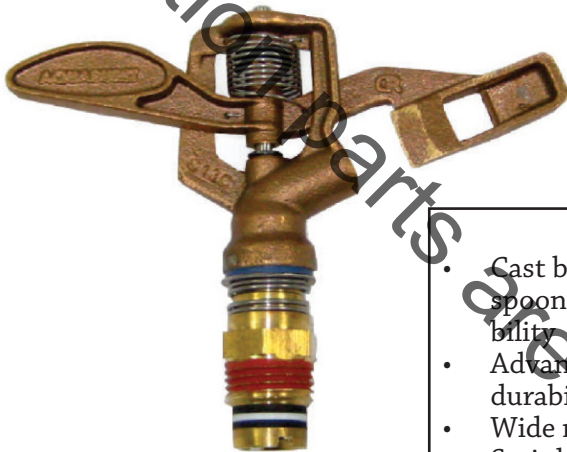
Irrigation parts are wholesale to dealers only

SPRINKLERS

Part #	List Price
HF20	

Specify 1/8 or 7/64 factory installed nozzles

1/2" Full-Circle Brass Impact Sprinkler
Torque Driven™ Spoon Technology



FIVE-YEAR
LIMITED BEARING
WARRANTY

Features
<ul style="list-style-type: none"> • Full-circle impact - 23° trajectory • 1/2" male NPT base • Single nozzle • 3/8 - 24 UNF nozzle threads • Sprinkler does not come with nozzle

Advantages
<ul style="list-style-type: none"> • Cast brass drive arm with I-Beam construction and Torque-Driven™ spoon technology with improved balance, rotation speed and durability • Advanced arm balance with consistent rotation speed and increased durability • Wide range of nozzles - 3/32", 7/64", 1/8" and 9/64" • Stainless steel fulcrum pin, arm spring, and bearing spring • Cast brass body with large impact bridges and cored water passage • Coined body and arm ensures proper arm position and smooth operation • Suitable for solid set and portable applications • Made with domestic and foreign parts • Pre assembled with XC-33™ thread sealant

100/CASE

AQUA BURST® Performance Chart

Normal Stream Height At 9' Above Nozzle at Normal Pressure

Radius - GPM

PSI	3/32" Nozzle	7/64" Nozzle	1/8" Nozzle	9/64" Nozzle
35	36 - 1.50	38 - 2.05	39 - 2.69	39 - 3.39
40	36 - 1.61	38 - 2.19	39 - 2.88	40 - 3.62
45	37 - 1.71	39 - 2.32	39 - 3.04	40 - 3.84
50	37 - 1.80	39 - 2.45	40 - 3.21	41 - 4.05
55	38 - 1.89	40 - 2.57	40 - 3.37	41 - 4.24
60	38 - 1.97	40 - 2.68	41 - 3.52	41 - 4.43

Valves
Hand/Main Line Parts
Pivot Parts
Flanges
Aluminum/Steel Fab
Hose & Accessories
Sprinklers
Primer Pumps
Wheel Line Parts

Irrigation Parts Wholesale to dealers only

SPRINKLERS

Wheel Line Parts
 Primer Pumps
 Sprinklers
 Hose & Accessories
 Aluminum/Steel Fab
 Flanges
 Pivot Parts
 Hand/Main Line Parts
 Valves

Part #
X25EDS

Raven-Smart™
Technology

Part #
X25ED

Standard Spoon Arm

1/2" Heavy-Duty Adjustable
Multi-Composite™ Impact



TWO-YEAR
WARRANTY

60/CASE

- Full or part-circle, impact sprinkler
- 23° trajectory
- 1/2" male NPT base
- Wide range of brass nozzles
- 9/64" nozzle installed
- 3/8 - 24 UNF nozzle threads

- Anodized aluminum drive arm with brass bushings
- Composite body is super-strong and impact resistant
- All brass bearing
- Stainless steel fulcrum pin, arm spring, and bearing spring
- Operates well at both high and low pressures
- Easily adjustable from 20° to 340° or full-circle
- Built-in vane straightener for improved performance
- Adjustable diffuser pin
- Made with domestic and foreign parts

AQUA BURST® Performance Chart

Normal Stream Height At 2.5' Above Nozzle at Normal Pressure

Radius GPM

PSI	1/8" Nozzle	9/64" Nozzle	5/32" Nozzle
35	36 - 2.46	36 - 3.41	39 - 4.30
40	37 - 2.68	37 - 3.69	40 - 4.58
45	38 - 2.71	37 - 3.97	43 - 4.89
50	39 - 2.96	39 - 4.09	45 - 5.16
55	39 - 3.18	40 - 4.17	46 - 5.31
60	39 - 3.29	41 - 4.25	47 - 5.60

Anti-Backsplash Arm

1/2" Heavy-Duty Adjustable
Multi-Composite™ Impact



TWO-YEAR
WARRANTY

60/CASE

- Full or part-circle, impact sprinkler
- 23° trajectory
- 1/2" male NPT base
- Wide range of brass nozzles
- 9/64" nozzle installed
- 3/8 - 24 UNF nozzle threads

- Anodized aluminum drive arm with brass bushings
- Composite body is super-strong and impact resistant
- All brass bearing
- Stainless steel fulcrum pin, arm spring, and bearing spring
- Operates well at both high and low pressures
- Easily adjustable from 20° to 340° or full-circle
- Built-in vane straightener for improved performance
- Adjustable diffuser pin
- Made with domestic and foreign parts

AQUA BURST® Performance Chart

Normal Stream Height At 2.5' Above Nozzle at Normal Pressure

Radius GPM

PSI	1/8" Nozzle	9/64" Nozzle	5/32" Nozzle
35	36 - 2.46	36 - 3.41	39 - 4.30
40	37 - 2.68	37 - 3.69	40 - 4.58
45	38 - 2.71	37 - 3.97	43 - 4.89
50	39 - 2.96	39 - 4.09	45 - 5.16
55	39 - 3.18	40 - 4.17	46 - 5.31
60	39 - 3.29	41 - 4.25	47 - 5.60

SPRINKLERS

*Raven-Smart™
Technology*

Part #
AL1023

Standard Spoon Arm

1/2" Full Circle, Dual Angle
Multi-Composite™ Impact



- Full circle, dual angle, 2 in 1 impact sprinkler
- Use as either 10° or 23° trajectory
- 1/2" male N.P.T. base
- Wide range of brass nozzles
- 3/8 - 24 UNF nozzle thread
- Sprinkler does not include nozzle

AQUA BURST® Performance Chart

Normal Stream Height At 2.5' Above Nozzle at Normal Pressure

Radius GPM

PSI	3/32" Nozzle	7/64" Nozzle	1/8" Nozzle	9/64" Nozzle
35	36 - 1.51	38 - 2.06	39 - 2.69	40 - 3.40
40	36 - 1.62	39 - 2.21	39 - 2.88	40 - 3.63
45	37 - 1.71	39 - 2.32	39 - 3.04	40 - 3.86
50	37 - 1.82	39 - 2.47	40 - 3.21	41 - 4.07
55	38 - 1.90	40 - 2.58	40 - 3.37	41 - 4.25
60	38 - 1.99	40 - 2.70	40 - 3.52	41 - 4.45

- Anodized aluminum drive arm
- Composite body is super-strong and impact resistant
- All brass bearing
- Stainless steel fulcrum pin, arm spring, and bearing spring
- Suitable for most solid set and portable applications
- Ideal for low precipitation rates
- Built-in vane straightener for improved performance
- Highly efficient water distribution
- Made with domestic and foreign parts

Irrigation parts are wholesale to dealers only

Valves
Hand/Main Line Parts
Pivot Parts
Flanges
Aluminum/
Steel Fab
Hose & Accessories
Sprinklers
Primer Pumps
Wheel Line Parts

SPRINKLERS

3/4" Full-Circle Multi-Composite™ Impact Sprinkler

Precision Channel™ Aluminum Arm

Raven-Smart™ Technology


 FIVE-YEAR
 LIMITED BEARING
 WARRANTY

Part #
AL30
AL30-C
AL30-SP

Advantages

- Anodized diecast aluminum drive arm with *Precision Channel Spoon™* for smooth Torque Driven™ operation and reduced splash-down
- Composite body is super-strong and impact resistant
- Highly efficient water distribution at both high and low operating pressures
- All-brass Seal-Lock bearing creates a debris resistant captive seal for long bearing wear
- Stainless steel fulcrum pin, arm spring and bearing spring for long wearing reliability
- Ideal for wheel line, solid set and frost control
- Works well with either straight bore nozzle or flow-control nozzle with 1/4" npt threads
- Made with domestic and foreign parts
- Pre assembled with XC-33 thread sealant
- Nozzle not included

Features

- Full-circle impact - 26° trajectory
- 3/4" male NPT base
- Single (AL30) or dual nozzle (AL30D)
- AL30-C has chrome bearing
- AL30-SP has plastic spindle

AQUA BURST® Performance Chart

Normal Stream Height At 9' Above Nozzle at Normal Pressure

 Single Nozzle
 Radius - GPM

 Dual Nozzle
 Radius - GPM

PSI	1/8" Nozzle	9/64" Nozzle	5/32" Nozzle	11/64" Nozzle	3/16" Nozzle
30	39 - 2.1	41 - 3.2	42 - 3.9	44 - 4.7	46 - 5.6
35	40 - 2.4	41 - 3.5	44 - 4.3	46 - 5.3	47 - 6.0
40	40 - 2.5	42 - 3.7	44 - 4.6	46 5.5	48 - 6.4
45	41 - 2.8	42 - 3.7	45 - 5.1	47 - 5.8	49 - 6.8
50	41 - 3.1	43 - 3.9	46 - 5.1	48 - 6.2	50 - 7.3
55	42 - 3.2	43 - 4.3	46 - 5.4	48 - 6.4	50 - 7.6
60	42 - 3.4	44 - 4.5	47 - 5.6	49 - 6.6	51 - 7.9
65	43 - 3.6	44 - 4.7	47 - 5.8	49 - 6.9	51 - 8.2
70	44 - 3.9	45 - 4.9	48 - 6.0	50 - 7.9	52 - 8.6

PSI	1/8" x 3/32" Nozzle	9/64"x3/32" Nozzle	5/32"x3/32" Nozzle	11/64"x3/32" Nozzle	3/16" x 1/8" Nozzle
30	39 - 3.2	41 - 4.6	43 - 5.4	44 - 6.2	45 - 8.1
35	39 - 3.3	41 - 5.0	43 - 5.8	45 - 6.7	46 - 8.8
40	40 - 3.4	42 - 5.3	44 - 6.2	46 - 7.2	48 - 9.5
45	40 - 3.8	42 - 5.7	45 - 6.5	47 - 7.7	49 - 10.1
50	41 - 4.2	43 - 5.9	45 - 6.9	47 - 8.1	50 - 10.6
55	42 - 4.5	43 - 6.2	46 - 7.3	48 - 8.4	50 - 11.0
60	43 - 4.6	44 - 6.5	46 - 7.6	48 - 8.7	51 - 11.6
65	43 - 4.9	44 - 6.8	46 - 7.9	48 - 9.0	52 - 12.2
70	44 - 5.2	45 - 7.0	47 - 8.2	49 - 9.2	52 - 12.6

SPRINKLERS

3/4" Full-Circle Brass Impact Sprinkler Torque Driven™ Spoon Technology



HF30

FIVE-YEAR
LIMITED BEARING
WARRANTY

Features

- Full-circle impact - 26° trajectory
- 3/4" male NPT base
- Single (HF30) or dual nozzle (HF30D)
- Single w/chrome bearing (HF30-C)
- Fits 3/4" size nozzle (NOZ75 series)

Part

HF30

HF30-C

HF30D

Advantages

- Cast brass drive arm with I-Beam construction and Torque-Driven™ spoon technology with improved balance, rotation speed and durability
- Cast brass body with triple bridge construction and cored water passage
- Seal-Lock bearing creates a captive seal
- Spindle with debris journal to slow bearing wear
- Stainless steel fulcrum pin, arm spring, and bearing spring for long wearing reliability
- Ideal for hand line, wheel line, solid set, and a wide-range of other applications
- Made with domestic and foreign parts
- Pre assembled with XC-33 thread sealant

Sprinkler Head Does Not Include Nozzle

60/case

AQUA BURST® Performance Chart

Normal Stream Height At 9' Above Nozzle at Normal Pressure

Single Nozzle
Radius - GPM

PSI	1/8" Nozzle	9/64" Nozzle	5/32" Nozzle	11/64" Nozzle	3/16" Nozzle
30	39 - 2.2	41 - 3.0	42 - 3.8	44 - 4.6	45 - 5.5
35	40 - 2.4	41 - 3.3	43 - 4.1	45 - 5.1	46 - 5.9
40	40 - 2.6	42 - 3.5	44 - 4.5	46 - 5.3	47 - 6.4
45	41 - 2.9	42 - 3.7	44 - 4.7	46 - 4.7	48 - 6.7
50	42 - 3.1	43 - 4.0	45 - 4.9	47 - 6.1	48 - 7.2
55	42 - 3.3	43 - 4.3	45 - 5.1	48 - 6.4	49 - 7.5
60	43 - 3.5	44 - 4.5	46 - 5.4	49 - 6.7	49 - 7.8
65	43 - 3.7	44 - 4.7	46 - 5.7	49 - 7.0	50 - 8.1
70	44 - 3.9	45 - 4.8	47 - 5.9	50 - 7.2	51 - 8.4

Dual Nozzle
Radius - GPM

PSI	1/8"x3/32" Nozzle	9/64"x3/32" Nozzle	5/32"x3/32" Nozzle	11/64"x3/32" Nozzle	3/16"x3/32" Nozzle
30	39 - 3.8	41 - 4.4	43 - 5.3	44 - 6.0	44 - 7.0
35	40 - 4.1	41 - 4.8	44 - 4.7	45 - 6.4	46 - 7.4
40	41 - 4.4	42 - 5.2	44 - 6.1	45 - 7.0	47 - 8.0
45	41 - 4.6	42 - 5.5	45 - 6.5	46 - 7.5	48 - 8.6
50	42 - 4.9	43 - 5.8	45 - 6.8	47 - 7.9	49 - 9.1
55	42 - 5.2	43 - 6.1	46 - 7.1	48 - 8.3	50 - 9.5
60	43 - 5.4	44 - 6.3	46 - 7.4	48 - 8.7	51 - 9.8
65	43 - 5.7	44 - 6.6	47 - 7.8	48 - 9.0	51 - 10.3
70	43 - 5.9	45 - 6.9	47 - 8.1	49 - 9.4	52 - 10.6

SPRINKLERS

3/4" Brass/Aluminum Impact Sprinkler
Precision Channel™ Aluminum Arm

Part #

HF30AL

Features

- Full-circle impact - 26° trajectory
- 3/4" male NPT base
- Single nozzle
- Fits 3/4" size nozzle (NOZ75 series)

60/case

Advantages

- Anodized diecast aluminum drive arm with *Precision Channel Spoon™* for smooth *Torque-Driven™* operation and reduced splash-down
- Cast brass body with triple bridge construction and cored water passage
- Spindle with debris journal to slow bearing water
- Seal-Lock bearing creates a captive seal
- Stainless steel fulcrum pin, arm spring, and bearing spring for long wearing reliability
- Suitable for portable, solid-set and row-crop, frost protection and mechanical move systems
- Made with domestic and foreign parts
- Pre assembled with XC-33 thread sealant

Sprinkler Head Does Not Include Nozzle

FIVE-YEAR
LIMITED BEARING
WARRANTY

HF30AL

AQUA BURST® Performance Chart

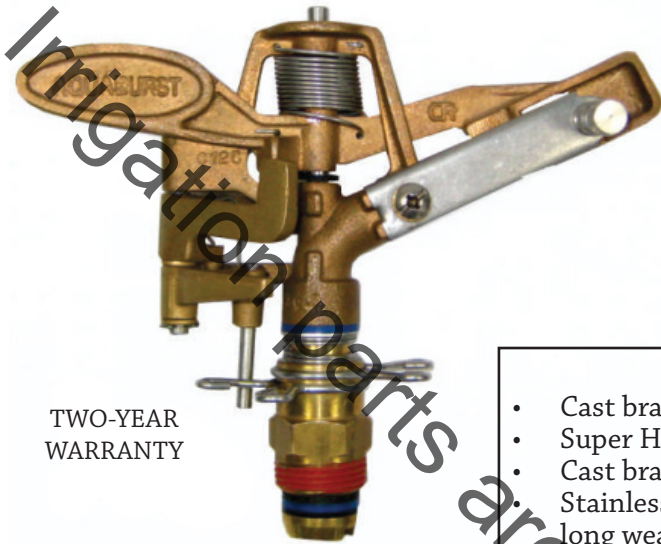
Normal Stream Height At 9' Above Nozzle at Normal Pressure

Radius - GPM

PSI	1/8" Nozzle	9/64" Nozzle	5/32" Nozzle	11/64" Nozzle	3/16" Nozzle
30	39 - 2.2	41 - 3.0	42 - 3.8	44 - 4.6	45 - 5.5
35	40 - 2.4	41 - 3.3	43 - 4.1	45 - 5.1	45 - 5.9
40	40 - 2.6	42 - 3.5	44 - 4.5	46 - 5.3	46 - 6.4
45	41 - 2.9	42 - 3.7	44 - 4.7	46 - 5.7	47 - 6.7
50	41 - 3.1	43 - 4.0	45 - 4.9	47 - 6.1	48 - 7.2
55	42 - 3.3	43 - 4.3	45 - 5.1	48 - 6.4	49 - 7.5
60	42 - 3.5	44 - 4.5	46 - 5.4	49 - 6.7	49 - 7.8
65	43 - 3.7	44 - 4.7	46 - 5.7	49 - 7.0	50 - 8.1
70	44 - 3.9	45 - 4.8	47 - 5.9	50 - 7.2	51 - 8.4

SPRINKLERS

3/4" Adjustable Brass Impact Sprinkler



TWO-YEAR
WARRANTY

X35ED

20/case

Part #

X35ED

Features

- Full or part-circle impact - 25° trajectory
- 3/4" male NPT base
- Single nozzle
- Fits 3/4" size nozzle - (NOZ75 series)

Advantages

- Cast brass drive arm with triple bridge construction
- Super Heavy Duty all brass trip assembly
- Cast brass body with cored water passage
- Stainless steel fulcrum pin, arm spring, and bearing spring for long wearing reliability
- An all-purpose, single nozzle, full or part circle, intermediate to high pressure sprinkler
- Perfect companion for all intermediate sprinklers where arc of coverage must be adjustable
- Easy to use diffuser pin for precise application
- Works well with either straight bore or flow control nozzle
- Made with domestic and foreign parts
- Pre assembled with XC-33 thread sealant

Sprinkler Head Does Not Include Nozzle

AQUA BURST® Performance Chart

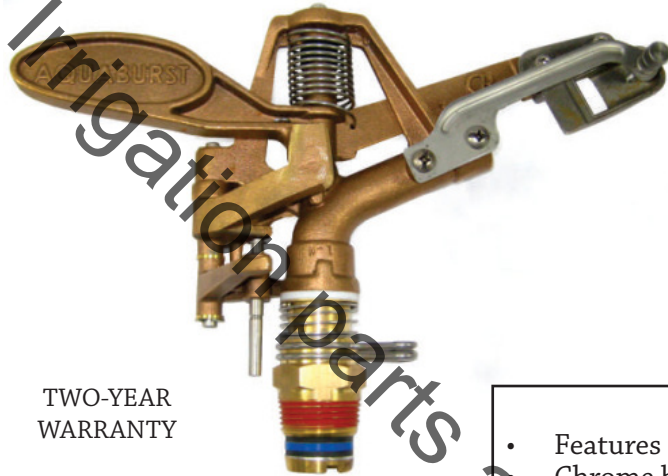
Normal Stream Height At 9' Above Nozzle at Normal Pressure

Radius - GPM

PSI	9/64" Nozzle	5/32" Nozzle	11/64" Nozzle	3/16" Nozzle
30	40 - 3.20	41 - 3.83	42 - 4.59	43 - 5.35
35	41 - 3.45	42 - 4.28	43 - 4.99	44 - 5.91
40	42 - 3.66	42 - 4.57	43 - 5.26	44 - 6.44
45	43 - 3.90	43 - 4.84	44 - 5.58	45 - 6.74
50	44 - 4.07	44 - 5.21	45 - 5.94	46 - 7.03
55	45 - 4.30	49 - 5.40	47 - 6.21	47 - 7.41
60	45 - 4.48	46 - 4.73	47 - 6.50	48 - 7.72

SPRINKLERS

1" Adjustable Brass Impact Sprinkler



Part #

X65ED-S

Features

- Full or part-circle impact - 24° trajectory
- 1" male NPT base
- Single nozzle
- Fits 1" size nozzle - (NOZ1 series)

 TWO-YEAR
 WARRANTY

X65ED-S

 sold
 individually

Advantages

- Features replaceable stainless steel spoon
Chrome bearing standard
- Adjustable arc from 20° to 340° or full-circle coverage
- Solid brass construction
- Stainless steel fulcrum pin, arm spring, and bearing spring for long wearing reliability
- Easy to use diffuser pin for precise application
- Ideal for pasture, turf, waste water treatment, auxiliary pivot end gun, and other large scale applications where adjustable coverage is necessary
- Made with domestic and foreign parts
- Pre assembled with XC-33 thread sealant

Sprinkler Head Does Not Include Nozzle

AQUA BURST® Performance Chart

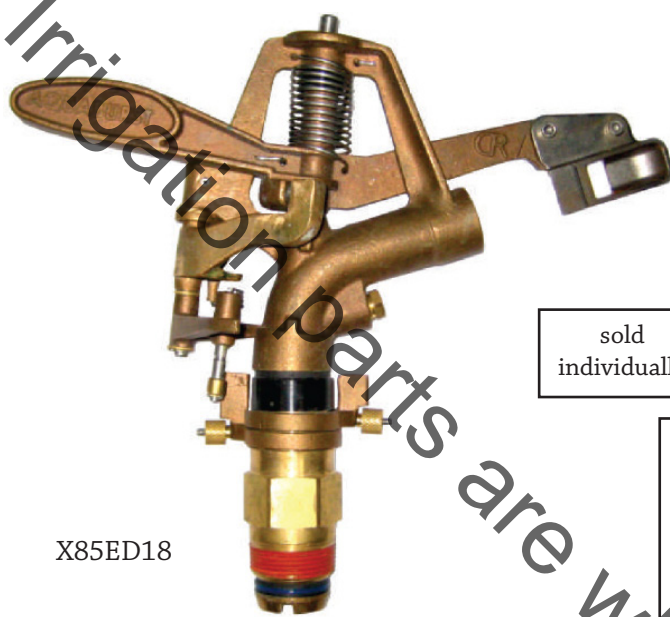
Normal Stream Height At 9' Above Nozzle at Normal Pressure

Radius - GPM

PSI	7/32" Nozzle	1/4" Nozzle	9/32" Nozzle	5/16" Nozzle	21/64" Nozzle	11/32" Nozzle	23/64" Nozzle	3/8" Nozzle
30	50 - 7.5	53 - 10.1	57 - 12.3	58 - 15.4	60 - 16.6	61 - 18.2	62 - 19.5	63 - 21.1
35	52 - 8.1	54 - 10.8	58 - 13.5	59 - 16.5	61 - 17.9	62 - 19.5	64 - 21.2	64 - 22.7
40	54 - 8.7	56 - 11.5	61 - 14.5	62 - 17.8	64 - 19.3	65 - 21.3	65 - 22.8	68 - 24.5
45	56 - 9.2	58 - 12.2	63 - 15.2	64 - 18.8	66 - 20.4	67 - 22.2	67 - 24.0	71 - 25.9
50	59 - 9.9	61 - 12.9	64 - 16.0	67 - 19.9	68 - 21.4	69 - 23.4	69 - 25.3	72 - 27.2
55	61 - 10.2	63 - 13.4	66 - 16.9	69 - 20.8	71 - 22.5	72 - 24.5	72 - 26.4	74 - 28.4
60	62 - 10.7	65 - 14.2	67 - 17.6	71 - 21.9	72 - 23.4	73 - 25.6	74 - 27.8	76 - 29.5
65	64 - 11.2	66 - 14.8	69 - 18.4	73 - 22.8	74 - 24.3	75 - 26.5	76 - 28.7	79 - 30.8
70	65 - 11.8	67 - 15.4	70 - 19.2	74 - 23.7	76 - 25.4	77 - 27.7	79 - 29.9	81 - 32.1

SPRINKLERS

1 1/4" Adjustable Brass Impact Sprinklers



X85ED18

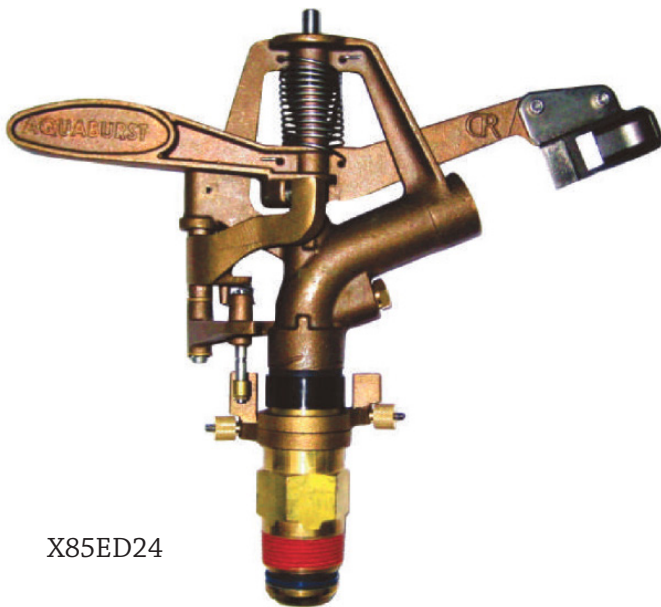
TWO-YEAR
WARRANTY

Part #
X85ED18
X85ED24

sold
individually

- Features**
- Full or part-circle impact
 - 18° or 24° trajectory
 - 1 1/4" male NPT base
 - Dual nozzle - NOZ125 Series

- Advantages**
- Chrome bearing standard
 - Heavy-duty stainless steel and brass construction
 - Easy to use adjustable locking brass trip collars
 - Internal vane straightener standard
 - Removable stainless steel spoon standard
 - Ideal for pasture, turf, waste water treatment, pivot end gun, and other large scale applications where adjustable coverage is necessary
 - Made with domestic and foreign parts
 - Pre assembled with XC-33 thread sealant
- Sprinkler Head Does Not Include Nozzle



X85ED24

Valves
Hand/Main Line Parts
Pivot Parts
Flanges
Aluminum/Steel Fab
Hose & Accessories
Sprinklers
Primer Pumps
Wheel Line Parts

Irrigation parts are wholesale to dealers only



Toll Free (800) 410-5263 Fax (866) 410-5263

sales@lanemfg.net www.irrigationgaskets.com

8:00 am to 4:30pm PST

SPRINKLERS

AQUA BURST® Performance Chart
Normal Stream Height At 14' Above Nozzle at Normal Pressure
Single Straight Bore Nozzle w/Spreader

X85ED18

Radius - GPM

PSI	11/32" Nozzle	3/8" Nozzle	13/32" Nozzle	7/16" Nozzle	15/32" Nozzle	1/2" Nozzle	17/32" Nozzle	9/16" Nozzle	5/8" Nozzle	11/16" Nozzle
30	56 - 19.2	58 - 21.8	61 - 24.3	63 - 28.6	65 - 32.0	66 - 36.5	65 - 40.1	66 - 45.7	66 - 55.7	67 - 66.9
35	59 - 19.8	61 - 23.5	64 - 26.5	66 - 30.9	69 - 34.1	69 - 39.3	72 - 43.3	72 - 49.3	72 - 59.8	73 - 72.2
40	61 - 21.1	63 - 24.9	66 - 28.3	69 - 33.2	71 - 37.3	73 - 41.1	75 - 46.4	77 - 52.8	77 - 64.0	78 - 77.8
45	63 - 22.6	66 - 26.6	69 - 30.4	71 - 34.6	73 - 39.7	75 - 43.7	78 - 49.3	79 - 56.6	83 - 69.9	83 - 83.0
50	66 - 23.8	68 - 27.5	71 - 32.6	73 - 36.9	76 - 42.2	78 - 47.0	80 - 51.5	82 - 59.7	85 - 71.8	86 - 87.3
55	68 - 24.9	70 - 29.3	73 - 33.8	75 - 38.8	78 - 44.4	80 - 49.1	82 - 54.1	85 - 62.6	89 - 76.1	91 - 91.9
60	70 - 25.6	72 - 30.1	75 - 34.9	77 - 41.0	80 - 46.8	82 - 51.9	85 - 57.4	87 - 65.3	91 - 79.0	94 - 96.4
65	72 - 26.7	74 - 31.3	77 - 36.2	79 - 42.8	81 - 48.3	84 - 54.0	87 - 60.2	89 - 67.8	93 - 83.2	96 - 100.9
70	73 - 27.6	76 - 32.5	78 - 37.6	81 - 44.6	83 - 50.5	86 - 56.2	89 - 62.3	91 - 71.3	95 - 86.4	98 - 104.8
75	74 - 28.8	77 - 33.6	80 - 38.9	83 - 45.9	85 - 52.2	87 - 58.4	90 - 64.5	93 - 73.9	97 - 88.8	100 - 108.1
80	76 - 29.7	79 - 34.6	81 - 41.2	84 - 47.6	87 - 54.8	89 - 60.2	92 - 66.9	95 - 76.8	98 - 93.0	101 - 112.2

AQUA BURST® Performance Chart
Normal Stream Height At 14' Above Nozzle at Normal Pressure
Single Straight Bore Nozzle w/Spreader

X85ED24

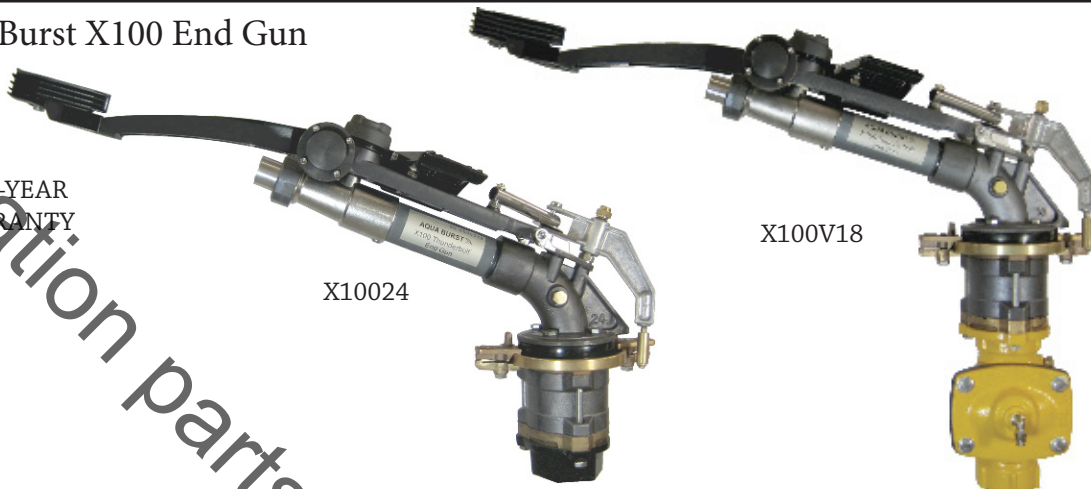
Radius - GPM

PSI	11/32" Nozzle	3/8" Nozzle	13/32" Nozzle	7/16" Nozzle	15/32" Nozzle	1/2" Nozzle	17/32" Nozzle	9/16" Nozzle	5/8" Nozzle	11/16" Nozzle
30	63 - 18.0	64 - 21.7	67 - 24.1	68 - 28.4	71 - 32.2	71 - 36.2	72 - 39.9	72 - 45.2	72 - 55.5	73 - 67.2
35	66 - 19.5	67 - 23.3	70 - 26.6	72 - 30.7	75 - 34.5	77 - 39.0	78 - 43.1	78 - 49.3	78 - 60.2	78 - 72.3
40	68 - 20.8	69 - 24.8	73 - 28.2	76 - 33.0	78 - 37.4	81 - 41.4	82 - 46.3	84 - 52.6	85 - 64.4	86 - 78.3
45	70 - 22.1	72 - 26.4	76 - 30.6	78 - 34.8	81 - 39.6	83 - 44.1	86 - 49.0	88 - 56.0	91 - 69.1	92 - 83.3
50	72 - 23.3	73 - 27.6	78 - 32.4	80 - 37.2	83 - 42.0	86 - 47.2	88 - 51.2	91 - 59.3	93 - 72.4	96 - 87.5
55	74 - 24.2	76 - 29.2	80 - 32.0	82 - 38.9	85 - 44.3	88 - 49.4	90 - 54.3	94 - 62.1	97 - 76.5	98 - 92.7
60	76 - 25.0	78 - 30.0	82 - 34.5	85 - 40.8	87 - 46.5	90 - 52.1	93 - 57.6	95 - 64.4	100 - 79.4	101 - 96.8
65	77 - 26.2	80 - 31.2	84 - 36.1	87 - 42.6	88 - 48.4	92 - 54.2	94 - 60.3	98 - 68.0	101 - 83.5	104 - 101.3
70	80 - 27.2	82 - 32.6	85 - 38.0	89 - 44.0	90 - 50.3	94 - 56.4	96 - 62.1	100 - 71.5	102 - 87.1	106 - 105.4
75	81 - 27.9	84 - 33.5	87 - 39.1	90 - 45.5	92 - 52.0	95 - 58.5	98 - 64.7	101 - 73.3	104 - 89.9	108 - 108.8
80	83 - 29.1	85 - 34.8	88 - 41.0	91 - 47.6	94 - 54.2	96 - 60.3	100 - 67.3	103 - 76.2	106 - 93.5	109 - 112.4

GEAR DRIVE SPRINKLERS

AquaBurst X100 End Gun

FIVE-YEAR
WARRANTY



X10024

X100V18

Part #
X100-18
X100-24
X100-43
X100V-18
X100V-24
X100V-43

sold individually

Features

- 37 - 290gpm, 35 - 100psi
- 18° trajectory - Pivot end gun
- 24° trajectory - Movable and solid set
- 43° trajectory - Dust control and mining
- Full and Part Circle continuous speed
- Adjustable control from 30° to 330°
- Operate only between 40 psi and 100 psi (max)

Advantages

- Powder coated aluminum drive arm
- Stainless steel arm bearing
- Stainless steel nozzle mount
- Fully adjustable stainless steel shift box
- Continuous forward and reverse speeds
- Solid brass reversing stop
- Taper ring nozzles
- All aluminum parts are epoxy coated or fully anodized

End Gun Does Not Include Nozzle

Valves

Hand/Main
Line Parts

Pivot Parts

Flanges

Aluminum/
Steel Fab

Hose &
Accessories

Sprinklers

Primer
Pumps

Wheel Line
Parts



Toll Free (800) 410-5263 Fax (866) 410-5263

sales@lanemfg.net www.irrigationgaskets.com

8:00 am to 4:30pm PST

SPRINKLERS

AQUA BURST® Preliminary Performance Chart Single Straight Bore Nozzle

X10018

Radius - GPM

PSI	0.50" Nozzle	0.55" Nozzle	0.60" Nozzle	0.65" Nozzle	0.70" Nozzle	0.75" Nozzle	0.80" Nozzle	0.85" Nozzle	0.90" Nozzle	0.95" Nozzle	1.00" Nozzle
40	85-42	90-52	95-61	99-71	102-84	107-95	111-108	119-123	122-139	128-154	-
45	88-44	93-55	98-64	102-76	106-87	110-101	115-114	124-131	126-146	132-162	136-180
50	92-46	96-58	101-68	105-80	110-92	114-105	118-119	127-138	131-151	135-169	140-187
55	95-49	99-61	104-72	109-84	113-97	117-111	122-125	131-145	134-160	139-178	144-196
60	97-51	102-63	108-78	112-88	117-101	119-116	125-132	134-150	138-167	143-186	148-205
65	100-54	105-65	110-80	116-93	121-105	123-120	129-137	139-157	141-175	147-195	153-214
70	102-55	108-68	111-81	119-98	125-110	126-125	133-142	141-163	145-181	152-202	158-223
75	105-57	110-70	115-84	122-100	127-114	130-130	136-148	141-163	149-187	156-209	162-230
80	108-59	111-72	118-86	125-102	130-118	134-133	138-152	144-168	152-193	159-215	165-237
85	110-61	113-75	121-89	129-104	134-120	138-137	141-157	147-174	154-199	161-222	167-244
90	112-63	116-77	124-93	133-107	137-124	143-142	145-162	150-180	157-206	163-228	169-251
95	115-65	118-80	128-96	137-111	141-129	147-146	149-167	152-185	159-212	165-235	172-259
100	118-67	121-83	131-99	141-115	146-133	151-150	152-172	155-191	161-217	168-242	174-265

AQUA BURST® Preliminary Performance Chart Single Straight Bore Nozzle

X10024

Radius - GPM

PSI	0.50" Nozzle	0.55" Nozzle	0.60" Nozzle	0.65" Nozzle	0.70" Nozzle	0.75" Nozzle	0.80" Nozzle	0.85" Nozzle	0.90" Nozzle	0.95" Nozzle	1.00" Nozzle
40	91-45	96-55	101-65	105-76	109-89	114-101	118-115	127-131	130-148	136-164	-
45	94-47	99-58	104-68	109-81	113-93	118-107	122-127	132-139	135-155	140-172	145-191
50	98-49	103-62	107-72	112-85	117-98	122-112	126-127	136-147	139-161	144-180	149-199
55	101-52	106-65	111-77	116-89	121-103	125-118	130-133	139-154	143-170	148-189	153-209
60	104-54	109-67	115-83	120-94	125-107	127-123	134-140	143-160	147-178	152-198	157-218
65	107-57	112-69	117-85	123-99	129-112	131-128	138-146	148-167	150-186	157-207	163-228
70	109-59	115-72	118-86	127-104	133-117	135-133	142-151	150-173	154-193	162-215	169-237
75	112-61	117-74	122-89	130-106	136-121	139-138	145-157	154-179	158-199	166-222	173-245
80	115-63	118-77	126-92	133-108	138-125	143-142	147-162	156-185	162-205	169-229	176-252
85	117-65	121-80	129-95	137-111	143-128	147-146	151-167	160-191	164-212	171-236	178-260
90	119-67	123-82	132-99	142-114	146-132	152-151	154-172	162-197	167-219	174-243	180-267
95	123-69	126-85	136-102	146-118	151-137	156-155	158-178	165-203	169-225	176-250	183-275
100	126-71	129-88	139-105	150-122	155-141	161-160	162-183	167-208	172-231	179-257	185-282



SPRINKLERS

AQUA BURST®

Installation, Maintenance and User Guide for Full Circle Impact Sprinklers

Operation of the Spoon-Driven Sprinkler

Pressurized water passes through the bearing and sprinkler body exiting through the nozzle onto the sloping vane. The water is then directed through the arm window into the curve of the spoon creating a reactionary force of the pressurized water leaving the spoon forces the arm out of the stream and away from the nozzle.

The tension of the arm spring then pulls the arm back into its original position. During this process the impact is accelerated by the angle of the leading edge of the sloping vane causing the sprinkler to move a small degree of travel so that the rotation of the sprinkler is relatively slow and uniform (one-half to three minutes per revolution, depending on the model, pressure and nozzle size).

Common Causes of Impact Sprinkler Failure

1. Foreign objects in water causing nozzle to become plugged

Remove and clean nozzle, then reinstall. Brass nozzles plugged with soft materials may be removed by inserting a wire to dislodge plug as long as care is used not to scratch the internal bore of the nozzle.

2. Oils or Pipe Dope

Aqua Burst Impact Sprinklers are water-lubricated. Never use additional lubricants such as oil, grease, anti-seize or pipe dope on bearing assembly or arm. Doing so will damage sprinkler and will void warranty. Teflon tape, properly installed is the only recommended thread sealant.

3. Improper Pressure

Always operate sprinkler within its recommended normal pressure range. Operation of sprinkler outside of its intended performance range may cause premature wear or crop damage and will void warranty. (See Aqua Burst nozzle performance charts on previous page for working pressure ranges.)

4. Worn and Improper Nozzle Sizes

Aqua Burst Impact Sprinklers are only guaranteed to function optimally with recommended nozzle sizes and types for each individual model. Only use recommended nozzle sizes and types for each model. Using improper size and type may cause excessive wear or sprinkler failure, inaccurate water distribution and/or crop damage and will void warranty. (See Aqua Burst nozzle performance charts on previous page for proper nozzle selection.)

5. Crushed Bearing Jacket

Avoid over-tightening sprinkler into riser or fitting during installation. This can cause the outer bearing jacket to crush into the inner bearing spindle causing the bearing to bind and fail to rotate. In addition, over-tightening makes removal and replacement difficult and may require professional assistance.

6. Avoid Incompatible Fittings

Avoid fittings that can come into contact with sprinkler bearing spindle. Some fittings have a shoulder that can interfere with the bearing spindle and cause the sprinkler to seize and fail.

7. Over-tightening Nozzles

Avoid over-tightening nozzles in sprinkler body during installation. Over tightened nozzle will be very difficult to remove and replace. Never use a wrench or sprinkler wrench that can crush the bearing while installing or removing the sprinkler.

Valves

Hand/Main
Line Parts

Pivot Parts

Flanges

Aluminum/
Steel Fab

Hose &
Accessories

Sprinklers

Primer
Pumps

Wheel Line
Parts

Irrigation parts are wholesale to dealers only

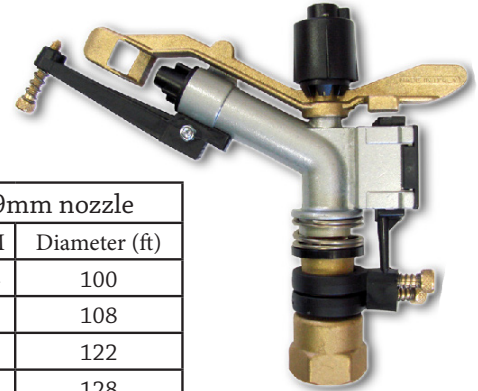
MINI CANNONS

Sime Funny 1" Part Circle Sprinkler (can also be used as full circle)

Part #
635-00

Nozzles included: 6, 7 mm

	5 mm Nozzle		6 mm nozzle		7mm nozzle		9mm nozzle	
PSI	GPM	Diameter (ft)	GPM	Diameter (ft)	GPM	Diameter (ft)	GPM	Diameter (ft)
22	5.3	84	7	86	10	92	16.4	100
29	6	92	8.5	96	11	100	19	108
44	7	100	10	108	14	112	23	122
58	9	108	12	116	16	122	26	128



Penguin WR-57 1.25" Part Circle Sprinkler (can also be used as full circle)

Part #
653-00

Nozzles included: 10, 12 and 14 mm

	10 mm nozzle		12mm nozzle		14mm nozzle	
PSI	GPM	Diameter (ft)	GPM	Diameter (ft)	GPM	Diameter (ft)
25						
30	28	125	40	138	52	148
45	34.5	138	52	148	64	157
60	40	148	55.5	171	73.5	177
75	45	154	62.5	184	82	190

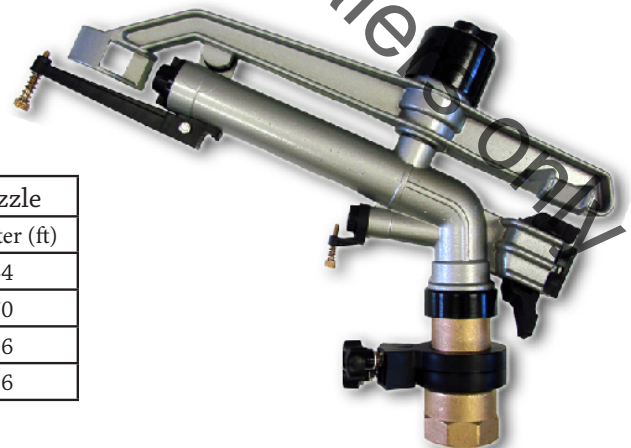


Pelican WR-67 1.5" Part Circle Sprinkler (can also be used as full circle)

Part #
654-00

Nozzles included: 12, 14, and 16 mm

	12 mm Nozzle		14 mm nozzle		16 mm nozzle	
PSI	GPM	Diameter (ft)	GPM	Diameter (ft)	GPM	Diameter (ft)
29	40	130	52	138	65	144
44	48	156	63	164	80	170
58	56	176	73	190	93	196
73	62	196	81	202	103	216



GEAR DRIVE SPRINKLERS

Sime Skipper (P-191) Turbine Sprinkler 1.5 NPT

Part #

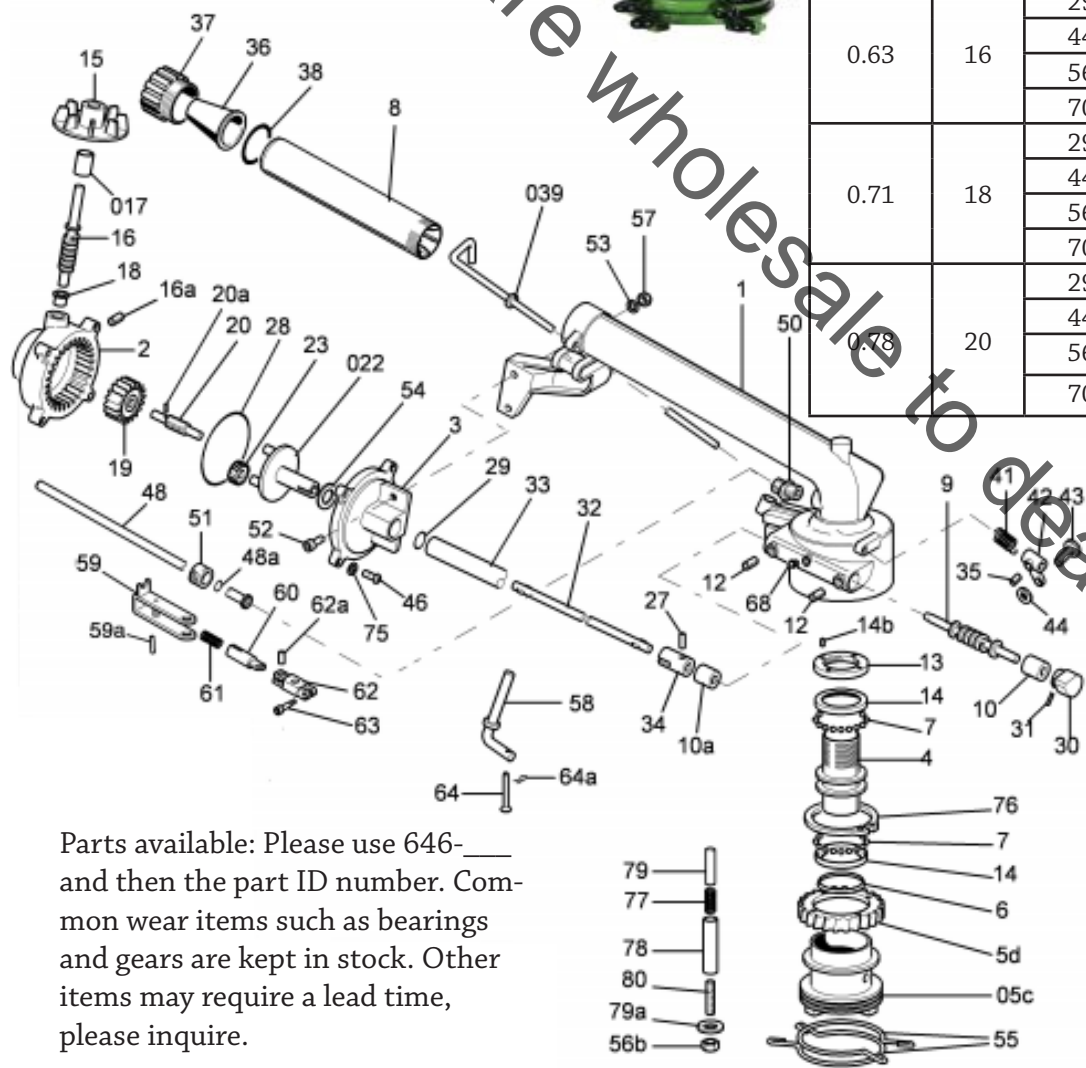
646-00

Nozzles included: 14, 16, and 18mm



TWO-YEAR WARRANTY

Skipper P-191 25 degree				
Nozzle Diameter Inch	Diameter MM	Pressure PSI	Diameter Feet	Discharge GPM
0.47	12	29	144	42
		44	164	51
		56	184	59
		70	202	66
0.55	14	29	156	51
		44	176	66
		56	196	76
		70	216	85
0.63	16	29	170	68
		44	190	83
		56	208	96
		70	228	107
0.71	18	29	182	84
		44	202	106
		56	222	124
		70	242	137
0.78	20	29	196	93
		44	216	129
		56	242	151
		70	268	163



Parts available: Please use 646-____ and then the part ID number. Common wear items such as bearings and gears are kept in stock. Other items may require a lead time, please inquire.

Prices effective March 15, 2020

This Section uses Discount B

Page 49

Valves
Hand/Main Line Parts
Pivot Parts
Flanges
Aluminum/Steel Fab
Hose & Accessories
Sprinklers
Primer Pumps
Wheel Line Parts

Irrigation parts are wholesale to dealers only

SPRINKLER NOZZLES

High Performance Plastic 1/4" NPT Straight-Bore Nozzle
 Fits 3/4" Aqua Burst™, Rain Bird™, and Nelson™

NOZPL75-18	1/8" Purple
NOZPL75-964	9/64" Grey
NOZPL75-532	5/32" Blue
NOZPL75-1164	11/64" Yellow
NOZPL75-316	3/16" Red



Brass 1/8" Straight Bore Nozzles -
 Fits 1/2" Impact Sprinkler
 Xcad, Rain Bird™ and Nelson™

NOZ5R-116	1/16"
NOZ5R-564	5/64"
NOZ5R-332	3/32"
NOZ5R-764	7/64"
NOZ5R-18	1/8"
NOZ5R-964	9/64"
NOZ5R-532	5/32"



Brass 1/4" NPT Straight Bore Nozzles
 Fits 3/4" Impact Sprinklers

1/4" NPT fits most 3/4" base brass sprinklers

NOZ75-764	7/64"
NOZ75-18	1/8"
NOZ75-964	9/64"
NOZ75-532	5/32"
NOZ75-1164	11/64"
NOZ75-1364	13/64"
NOZ75-1564	15/64"
NOZ75-316	3/16"
NOZ75-732	7/32"
NOZ75-14	1/4"



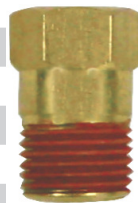
Brass 1/8" NPT Straight Bore Nozzles -
 Fits 1/2" Impact Sprinkler
 1/8" NPT fits Weathertec™ and Storm™

NOZ5W-116	1/16"
NOZ5W-564	5/64"
NOZ5W-332	3/32"
NOZ5W-764	7/64"
NOZ5W-18	1/8"
NOZ5W-964	9/64"
NOZ5W-532	5/32"



Brass Straight Bore Nozzles -
 Fits 1" Impact Sprinklers
 Fits most 1" base brass impact sprinklers

NOZ1-732	7/32"
NOZ1-14	1/4"
NOZ1-932	9/32"
NOZ1-516	5/16"
NOZ1-1132	11/32"
NOZ1-38	3/8"
NOZ1-1332	13/32"



Brass Straight Bore Nozzles -
 Fits 1 1/4" Impact Sprinklers
 Fits AquaBurst™, Nelson™, and Rainbird™

NOZ125-1132	11/32"
NOZ125-38	3/8"
NOZ125-1332	13/32"
NOZ125-716	7/16"
NOZ125-1532	15/32"
NOZ125-12	1/2"
NOZ125-1732	17/32"
NOZ125-916	9/16"
NOZ125-58	5/8"
NOZ125-1116	11/16"



Plug Nozzles

NOZ-PLG18	Brass 1/8" NPT
NOZ-PLG25	Brass 1/4" NPT
NOZ-PLPLG18	Plastic 1/8" NPT
NOZ-PLPLG25	Plastic 1/4" NPT



Brass Spreader Nozzle
 NOZ-BKSPRD 3/32" or
 1/8" NPT



SPRINKLER PARTS

X100 Nozzle

Also fits Nelson™ SR75 Big Gun®

X100-42-.4
X100-42-.45
X100-42-.5
X100-42-.55
X100-42-.6
X100-42-.65
X100-42-.7
X100-42-.75
X100-42-.8
X100-42-.85
X100-42-.9
X100-42-.95
X100-42-1



X100 Complete Replacement Bearing

Also fits Nelson™ SR100 and SR75

X100BA	Complete Bearing Assembly
X100BASS	Heavy Duty Bearing Assembly with stainless steel bearings



Features

- Anodized aluminum body and bearing stem
- One-piece brass bearing base carrier
- Heavy-duty bearing assembly with stainless steel ball bearings
- UltraSlip impregnated bearing base o-ring

Impact Sprinkler Bearing Assemblies

Bearing Assembly includes spindle, housing, spring and washers

HF30BRNG	AquaBurst®, Nelson™, Rainbird™ 3/4" full circle
AL30BRNG	AquaBurst® 3/4" AL30 series
HF20BRNG	AquaBurst®, Nelson™, Rainbird™ 1/2" full circle
X35BRNG	AquaBurst® X35ED series
X65BRNG	AquaBurst®, RainBird™ 1" full circle
X85BRNG	AquaBurst®, RainBird™ 1 1/4" full circle



Impact Sprinkler Tools

Nozzle & Spark Plug Multi-tool

BCT	3/4" sprinkler
BCT.5	1/2" sprinkler

Features

- All stainless steel construction with EZ Grip Handle
- 3/4" Fits nozzles with 3/8", 7/16", 1/2" and 3/4" hex heads and spark plugs 3/4" and 13/16"
- 1/2" Fits nozzles with 3/8" and 7/16" hex heads
- Stainless steel nozzle plug wire



Valves

Hand/Main Line Parts

Pivot Parts

Flanges

Aluminum/Steel Fab

Hose & Accessories

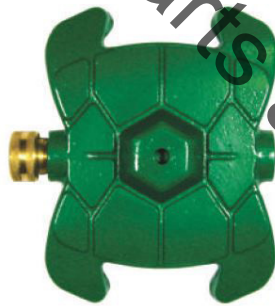
Sprinklers

Primer Pumps

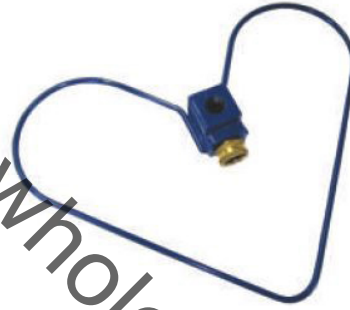
Wheel Line Parts

SPRINKLER STANDS

TS-75	Turtle Yard Sprinkler
ST50B	1/2" Butterfly Sprinkler Stand
ST50H	1/2" Heart Sprinkler Stand
ST75B	3/4" Butterfly Sprinkler Stand
ST75H	3/4" Heart Sprinkler Stand
X-CART.5	1.2" Base incl X25ED full/part sprinkler



Turtle Sprinkler



Heart Stand



Butterfly Stand



X-CART.5
1/2" outlet
garden hose inlet
X25 ED sprinkler included



Trident Stand (USA)
Zamac coupler ends

Valves
Hand/Main Line Parts
Pivot Parts
Flanges
Aluminum/Steel Fab
Hose & Accessories
Sprinklers
Primer Pumps
Wheel Line Parts

Irrigation parts are wholesale to dealers only